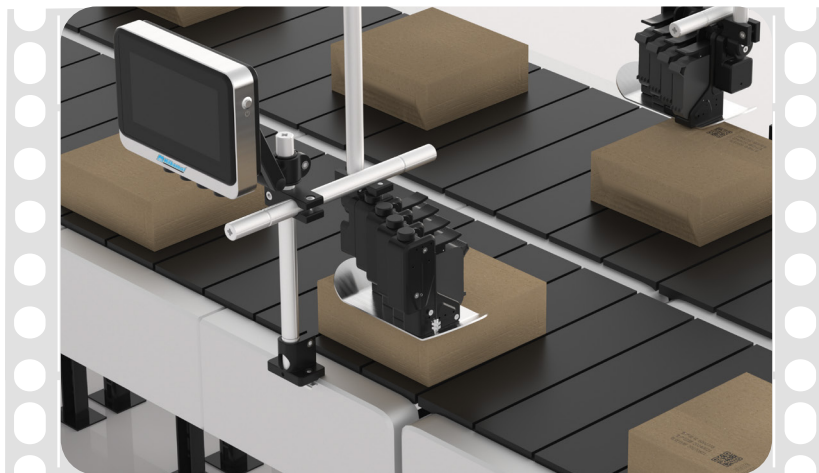






# THERMAL INKJET PRINTER

Print . Mark . Pack

UNCONVENTIONALLY TOUGH!



## ◀ Nilkamal Thermal Inkjet Printer

-  Wide format Printing
-  Rugged build quality
-  Powerful data options
-  Structured self service inductive

## NILKAMAL F300 SERIES

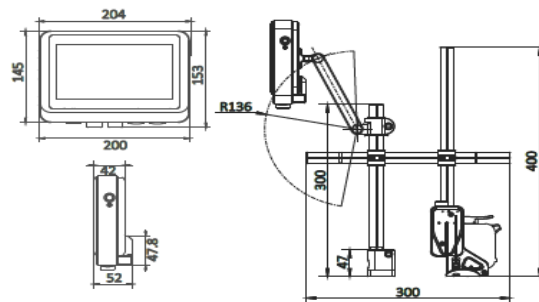
Nilkamal F300 Series thermal inkjet printers are built for industrial applications. The controller chassis is a unibody alluminium construction; the connectors & cables are made to military grade; and the special design pens are durable for a lifetime. With 4 pens for one controller and 25mm print height per head, the Nilkamal Stay Sharp thermal inkjet printer offers the widest format alternative to large character printing. In addition to its rugged design, the inkjet printer comes with powerful data print options and configurable print side selections that make it unconventionally industrial.



# Product Details

Print Capability	Model No.	3511	3521	3541	3515	3525	3545	
	Cartridge Technology	HP			IUT			
	Printing parameters	Selectable 150,200,300 & 600 DPI, 12.7mm high, upto 3000mm long free design with single print head. 25.4mm print height with 2 printheads, 50.8 mm high with 4 print heads			Selectable 150, 200, 300 DPI, 25.4 mm high, upto 3000 mm long free design with single print head. 50.8 mm print height with 2 printheads, 101.6 mm high with 4 print heads			
	Print distance	1mm Optimal, 5mm Maximum						
	Print Speed	dependant on selected DPI, upto 152 m/min, 76m/min in 300 dpi						
	Print Colours	Standard Black water based. Black, Red, Blue solvent based. Supports other TIJ based speciality inks			Standard Black water based and solvent based inks			
	Printing options	Configurable time/date codes, counters, shift code, graphics/ Logo, external data, symbol sets. Barcodes. EAN12, UPCA, UPCA, Code 39/ 93 128, GS1_128 ITF14, PDF417. QR code						
	Cartridge smart Technology	Smart chipped to brand, auto set firing paramiters, auto ink volume						
	Special Print Functions	Auto reverse, single trigger multiple print, contiuous metre marking						
	External Data Handling	100 Mbit Ethernet LAN, RS232 serial data, backup/restore						
Printable fonts	All Common windows based fonts, including New Roman, Verdana, Arial, Calibri and dot matrix fonts							
Core Hardware	Controller	7" (78mm) full colour touch screen, Aluminium unibody						
	Controller connections	4 printhead data ports, USB 2.0, 9 way D RS232, 9 way D alarms output, RJ11 100Mbit Ethernet LAN, power, encoder, external sensor						
	Controller weight/Dimensions	1.15Kgs. L204mm, W153mm, D52mm						
	Printhead weight Dimension	280g. L130mm, W32mm, H93mm, single printhead, guide plate and filled cartridge			Single printhead and guide plate 338g			
	Print head Data cable	Military specification connections, 1.5 Mtrs length standard, 5.0 Mtrs optional						
	Mounting brackets	300mm rotational printhead mounting bar, 2 x 300mm cross section bars, Controller "easy position" bar mounting bracket						
	External Sensor	Fiber optic sensor with head mounting bracket						
Operational	Maintenance Features	Configurable / selectable auto purge, Print side slection, manual continuous purge selection						
	Operation Protection	3 level password protection						
	Languages	English, traditional Chinese, Vietnamese, Russian, German, Spanish, Portuguese, Dutch, Italian						
	Temperature Range	5°C to 45° C non condensing						
	Input Voltage	100/240v AC, 60W typical. 12v DC 5A (supplied Power block)						
	Print head Mounting	Auto head 10mm anti shock with 30 deg incremetal quick rotational printhead mounting. Side on and top down printing.						
	Certifications	CE						
	IP Rating	IP 54						

## DIMENSIONS



Note: Product specification and design are subject to change without prior notice and may vary from those shown

Head Office:

Nilkamal Limited

Nilkamal House, Plot No.77 & 78, Street No.14,  
M.I.D.C, Andheri (East), Mumbai - 400093

Toll Free Number: 1800 890 9115

Email: marketing@nilkamal.com

[www.nilkamal-printing.com](http://www.nilkamal-printing.com)

